

HELTUN™

IMPOSSIBLY SMART

RELAY SWITCH
quinto

HE-RS01

Z-WAVE 700 PLATFROM





YOUR CONVENIENCE MATTERS

- When considering your convenience at home, what is most important?
- Is it being able to turn on or off lights without running through different rooms?
- Or be able to lock the door, close the blinds, and dim groups of lights by remote control?
- Or maybe something else?

**Whatever the need,
HELTUN has got you covered.**

TAKE CONTROL

Doors & Gates



Blinds



Curtains



Light Switches



Five channel relays with dry contacts & 5 Amp load each.

HELTUN Advanced Zero-Cross Technology delivers greatly increased longevity & reliability.



Windows



Motorized Valves



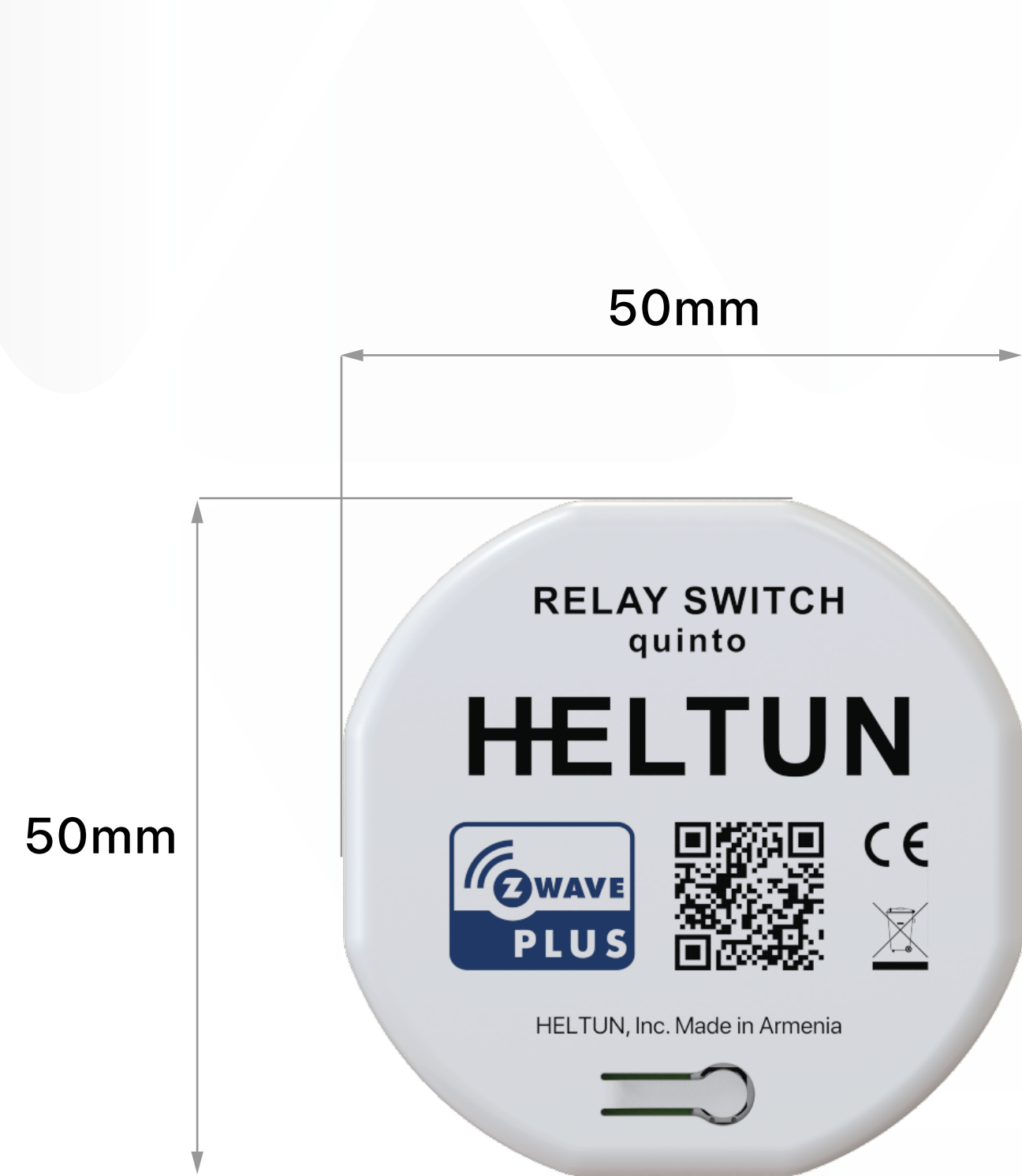
Electronic Door Locks



Multi-Gang Light Switches



IMPOSSIBLY SMALL



IMPOSSIBLY SMART

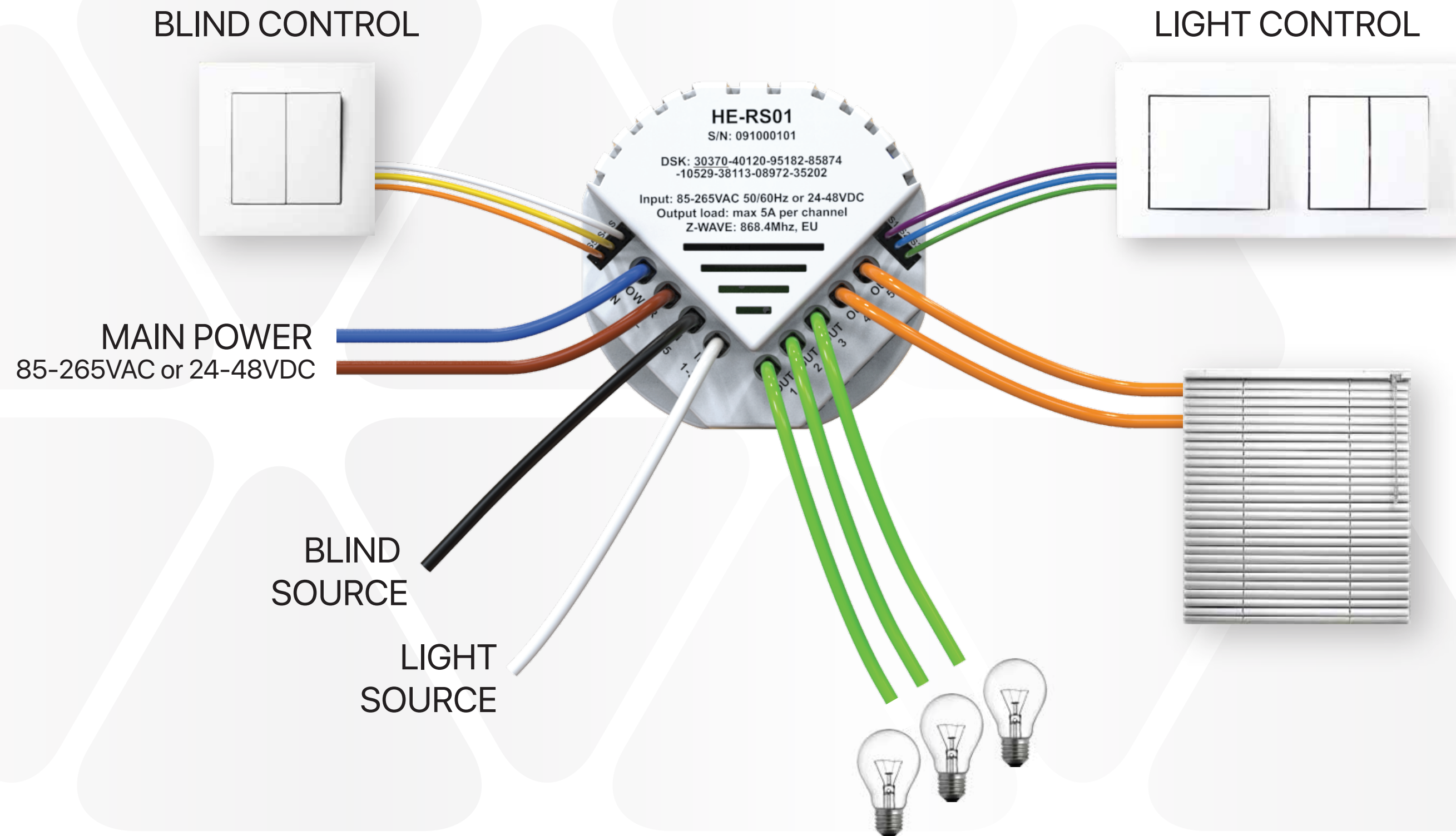
The Relay Switch quinto with roller shutter control, brings incredible capabilities to any connected device. It makes light switches 'smart' with full remote monitoring, control, and advanced programmability. This brings the convenience of smartphone app control and automation to 'dumb' devices such as multi-gang light switches, electronic door locks, motorized gates, blinds, windows, and valves.

For example, you can control up to...

- Five ON/OFF devices
- Three ON/OFF devices, and one, two-direction motor
- One ON/OFF device, and two, two-direction motors

At 26mm in depth, the Relay Switch quinto is also 'impossibly small', fitting into any rectangular, round or square electrical junction box, even behind attached devices.





INPUTS & OUTPUTS

The main power input can be either 85-265VAC or 12-48VDC.

There are five relay outputs each with a maximum 5 Amp load.

There are also two independent inputs for relay channels which allow control of systems with different power sources, or to use outputs as dry contacts: e.g. to switch ON/OFF 220VAC lights and control motorized valves with 24VDC power.

There are six pilot wire inputs: one common and five for each relay channel. This allows the Relay Switch quint to be controlled by up to five different sources (e.g. five different light switches) and control all relay outputs separately.

Each relay channel uses the HELTUN Advanced Zero-Cross Technology to deliver greatly increased longevity & reliability.



KNOW HOW MUCH ENERGY YOU USE

The HELTUN built-in Power Consumption System precisely monitors how much energy you used during any particular day, week, or month.

Do your current light switches do that?

Just specify the consumption of the load in watts for each relay channel and the Relay Switch quinto logic will calculate total consumption relative to the time since the output was in the 'ON' state.

We have also designed the circuitry so it draws almost zero watts to power itself when in standby mode. This saves you energy and money especially if your home is equipped with many HELTUN products.



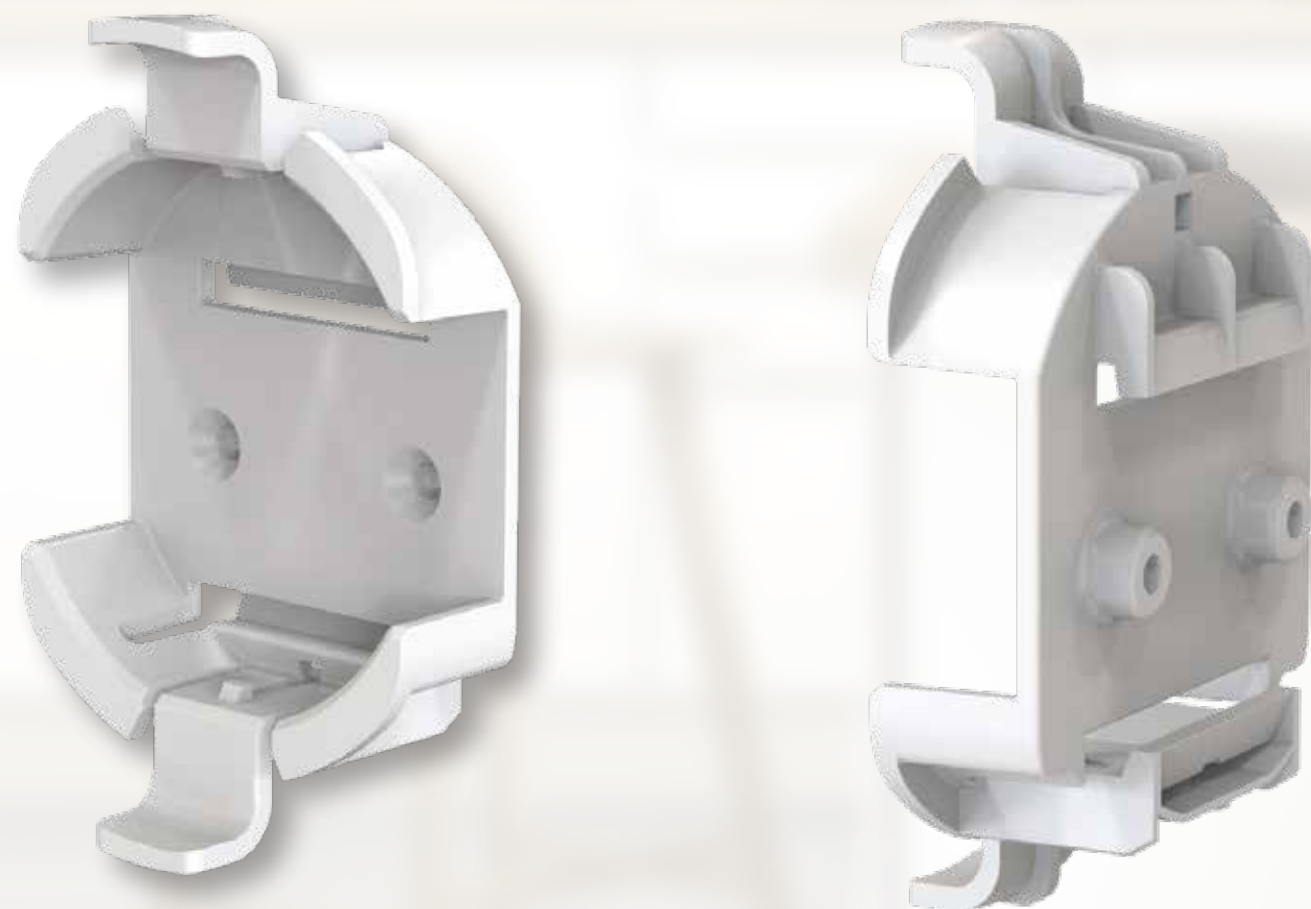
MAKE CIRCUIT BREAKERS IMPOSSIBLY SMART

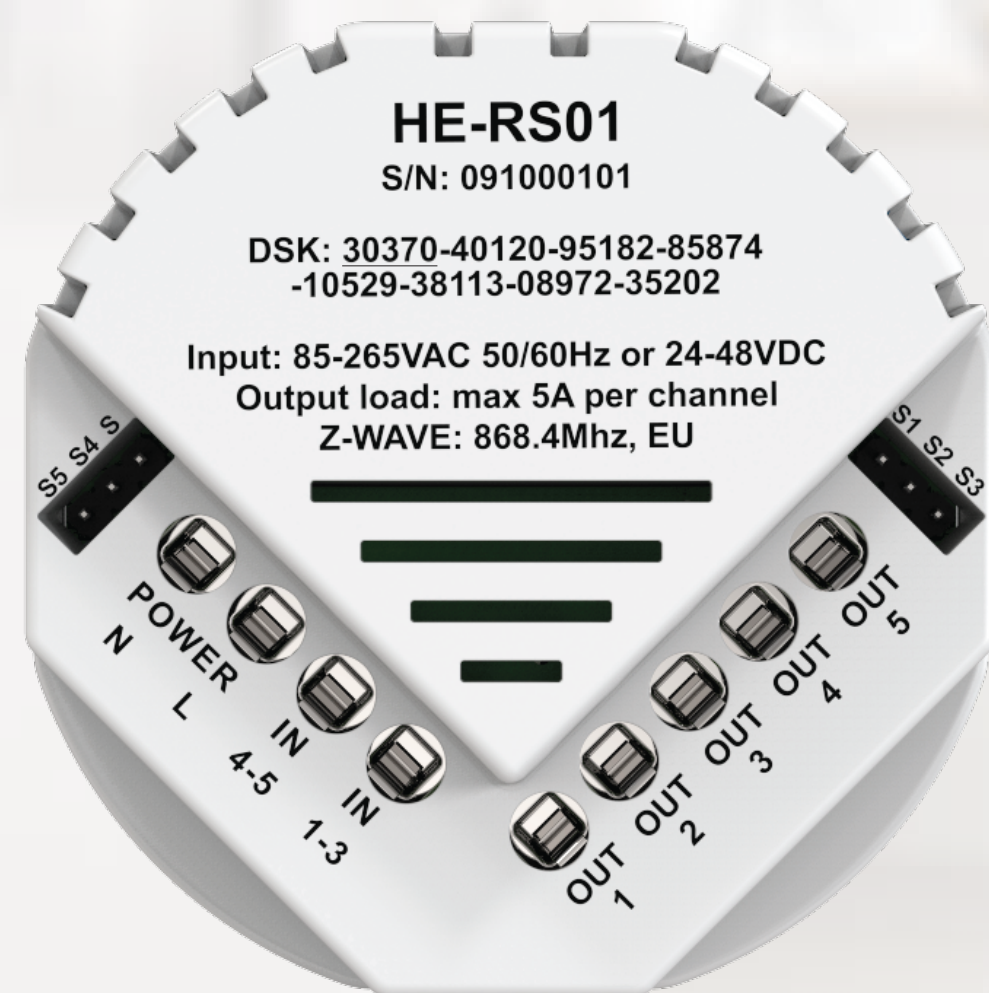
Is your DIN rail a 'dumb' rail?

Since the HELTUN Relay Switch quinto has 5 channels which can each handle up to 5 Amp loads, it is a perfect addition to your circuit breaker panel for monitoring and controlling groups of devices from the Internet through a Z-Wave gateway, such as:

- Entire groups of lights
- Motorized valves
- Door locks
- Motorized blinds, doors, and gates

The Micromodule Mounting Adaptor is available from HELTUN as an accessory for the Relay Switch quinto to fit standard DIN rails (50mm width), or it can also be mounted directly on the wall using the supplied screws & anchors.





POWERFULLY CUSTOMIZABLE

There are seven different modes that can be selected for the Relay Switch quinto with up to five pilot wires being used to control any relay output to devices like a wall switch, alarm panel, etc.

- **Invert State** - If ON, turn OFF when pilot wire circuit is closed (or if OFF, switch ON).
- **Momentary** - Switch ON when pilot wire circuit is closed, switch OFF when opened.
- **Momentary Reversed** - Switch OFF when pilot wire circuit is opened, switch ON when closed.
- **Switch ON Only**- When the pilot wire circuit is closed (i.e. short-circuited).
- **Switch OFF Only** - When the pilot wire circuit is closed (i.e. short-circuited).

The Relay Switch quinto output can also be controlled by an internal timer. For example, after the switch is turned ON, it can be configured to automatically switch OFF a specified time later (or vice-versa: turn ON after being turned OFF).

This function can be used to open or close garage doors, gates, blinds, curtains, locks, etc., and then return them to their previous state with no additional input.

- **Timer (ON then OFF)** - Switch ON when pilot wire circuit is closed, then Switch OFF after specified time.
- **Timer (OFF then ON)** - Switch OFF when pilot wire circuit is closed, then Switch ON after specified time.



MOTORIZED DEVICE CONTROLS

The HELTUN Relay Switch quinto does a lot more than just control house lights. You can use it to control motorized blinds, curtains, garage doors, driveway gates, and electric locks. You have full control over programming different buttons for specific functions.

For example, you can designate the top left button to raise the living room blinds, and the bottom left button to lower them. In this mode, if the blinds are rising and you then touch the down button, the system will automatically cancel the UP command and initiate a DOWN command, or vice-versa.

The system also calculates the position of the blinds when fully opened or closed and automatically stops the motor when it reaches the UP or DOWN limit.

If you have installed a door sensor - as on a garage door - you can associate that sensor with the button backlight to indicate the actual UP or DOWN state of the door.



SCHEDULES & SCENARIOS

Using the internal timekeeping of the HELTUN Relay Switch quinto, you can create schedules for some devices.

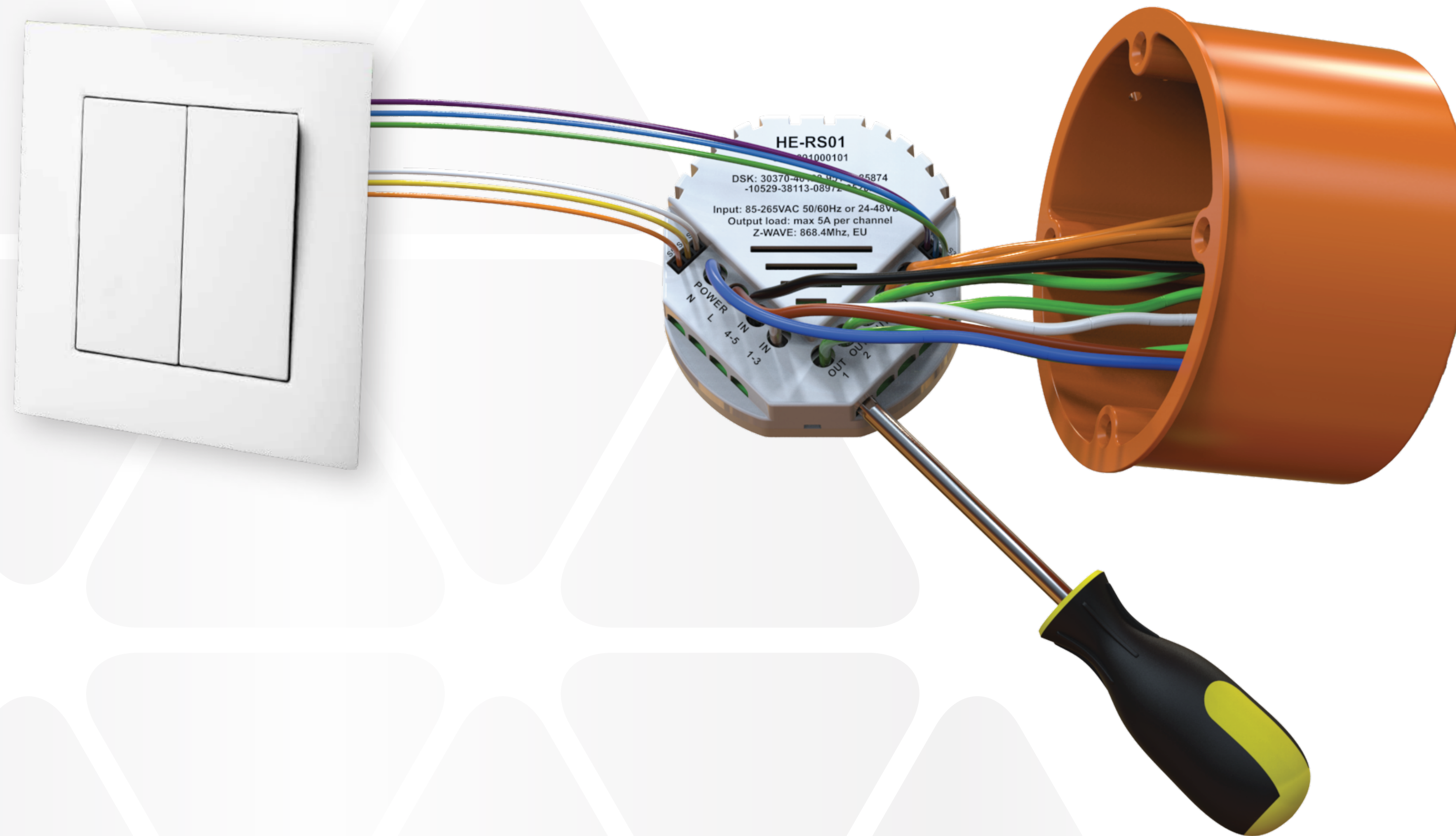
For example:

- Open the blinds at 7:00AM and close them at 10:00PM
- Switch on the porch light at 7:00PM and turn it off at 1:00AM.

The possibilities for adding convenience and comfort are endless and limited only by the creativity of the owner or installer of the HELTUN Relay Switch quinto.

EASY TO INSTALL

The HELTUN Relay Switch quinto can be easily installed into any standard electrical junction box (rectangular, square, or round) in just minutes. Installation must only be performed by someone trained in handling high voltage electrical systems.



Zipato



Athom Homey



HomeSeer



Vera



Fibaro Home Center Lite



Fibaro Home Center 2



Z-Wave.me RaZberry



Eedomus



Z-WAVE PLUS V2 CERTIFIED

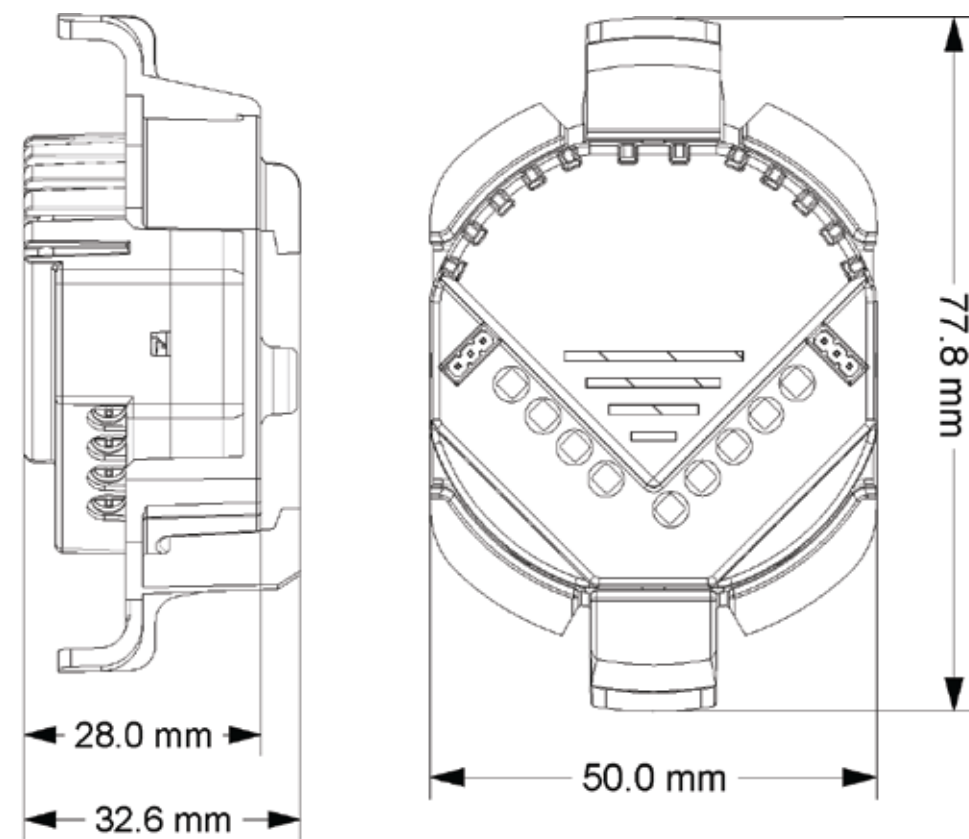
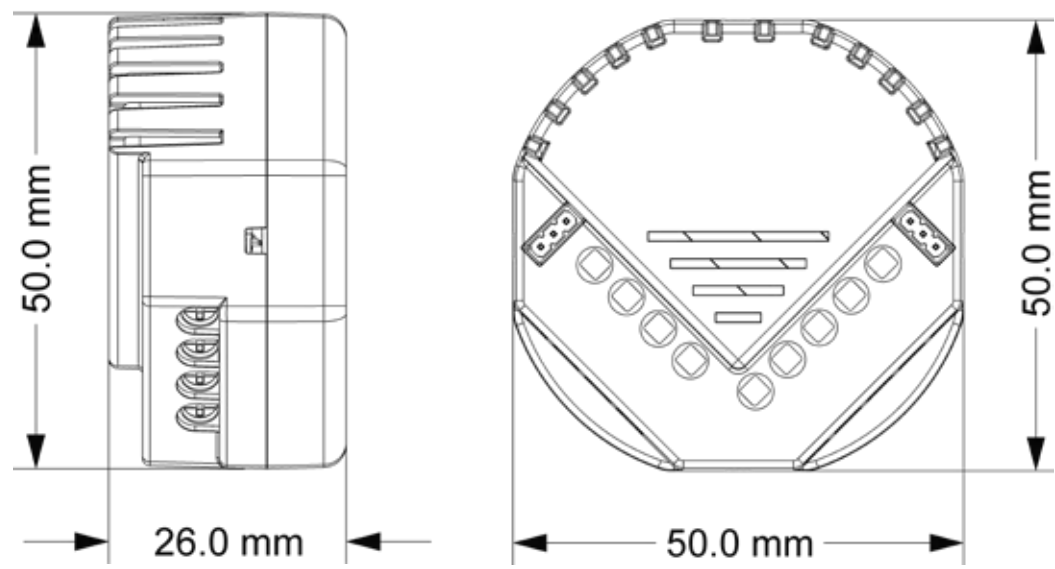
You can connect HELTUN devices to a Smart Home controller using the latest Z-Wave Plus V2 700 platform. HELTUN features advanced Smart Start technology for easy system integration, and the Security 2 (S2) framework with AES 256 encryption for safe data transfer.

This Relay Switch quinto is compatible with all Z-Wave certified controllers and devices that properly implement Z-Wave switch and thermostat classes. Using a Z-Wave controller, you can manage all switch functions via a mobile app including temperature & mode changes, viewing energy consumption charts, and much more.

Up to 50 separate devices can be connected to your HELTUN Relay Switch quinto. You can associate it with any Z-Wave compatible ON/OFF switch, or other Switch, to control different climate systems in a room. You can even connect motion sensors and change Relay Switch quinto modes when people are detected in the house.

HELTUN devices are compatible with all Z-Wave frequencies for different countries (Europe, Russia, Israel, Australia, USA, India, Hong Kong, China, Japan, and Korea).

HELTUN periodically releases new device firmware with added features which can be remotely updated via an encrypted OTA (Over-The-Air) process.



TECHNICAL SPECIFICATIONS:

- Dimensions: 50x50x26mm
- Material: Flame retardant plastic
- Color: White
- Five relays for resistive loads up to 5A each
- Two independent relay inputs (dry contact)
- Relay switching with HELTUN Advanced Zero-Cross Technology
- Relay lifetime: 100.000 cycles
- One common (S) and five pilot wires (S1, S2, S3, S4, S5) for external control
- Power consumption software logic
- Power supply: 85-265VAC 50Hz/60Hz, or 24-48VDC
- Power consumption: <1W
- Operating temperature: 0°C to +60°C
- IP class: IP21
- Z-Wave Plus V2 SDK: V7.11
- Z-Wave module: ZGM130S
- Mounting – either:
 - Flush electrical junction box: round or square type – min. depth 40mm
 - Optional adapter for DIN Rail (50mm width) or wall mounting

FUNCTIONAL SPECIFICATIONS :

- Options for Inclusion/Exclusion to/from Z-Wave network
 - Non-Secure
 - S0 Secure
 - S2 Unauthorized, S2 Authorized with Key
- Association control with 100 devices from network
- Motorized device control (roller shutter mode)
- Each of the five pilot wires inputs can control any relay output
- Up to five outputs can be controlled by one pilot wire
- Seven modes for each relay output:
 - Switch ON only
 - Switch OFF only
 - Invert State (ON to OFF or OFF to ON)
 - Momentary (ON when shorted, OFF when released)
 - Momentary Reversed (OFF when shorted, ON when released)
 - Timer (ON then OFF after specified time)
 - Timer (OFF then ON after specified time)
- Each relay outputs can be managed by a Z-Wave gateway or associated device
- Each pilot wire can trigger scenes
- Schedule Mode
- Power consumption software logic
- Factory reset button
- SmartStart technology for quick addition to Z-Wave networks
- OTA (Over-The-Air) encrypted firmware update

Z-WAVE PLUS V2 SPECIFICATIONS:

Generic Device Class: GENERIC_TYPE_WALL_CONTROLLER
 Specific Device Class: SPECIFIC_TYPE_NOT_USED

Supported Command Classes:

COMMAND_CLASS_ZWAVEPLUS_INFO [0x5E], V2
 COMMAND_CLASS_ASSOCIATION [0x85], V2
 COMMAND_CLASS_ASSOCIATION_GRP_INFO [0x59], V3
 COMMAND_CLASS_MULTI_CHANNEL_ASSOCIATION [0x8E], V3
 COMMAND_CLASS_MULTI_CHANNEL [0x60], V4
 COMMAND_CLASS_CENTRAL_SCENE [0x5B], V3
 COMMAND_CLASS_SWITCH_BINARY [0x25], V2
 COMMAND_CLASS_BASIC [0x20], V2
 COMMAND_CLASS_SENSOR_MULTILEVEL [0x31], V11
 COMMAND_CLASS_METER [0x32], V4
 COMMAND_CLASS_CLOCK [0x81], V1
 COMMAND_CLASS_TRANSPORT_SERVICE [0x55], V2
 COMMAND_CLASS_SECURITY [0x98], V1
 COMMAND_CLASS_SECURITY_2 [0x9F], V1
 COMMAND_CLASS_VERSION [0x86], V3
 COMMAND_CLASS_MANUFACTURER_SPECIFIC [0x72], V2
 COMMAND_CLASS_DEVICE_RESET_LOCALLY [0x5A], V1
 COMMAND_CLASS_POWERLEVEL [0x73], V1
 COMMAND_CLASS_SUPERVISION [0x6C], V1
 COMMAND_CLASS_INDICATOR [0x87], V3
 COMMAND_CLASS_CONFIGURATION [0x70], V4
 COMMAND_CLASS_APPLICATION_STATUS [0x22], V1
 COMMAND_CLASS_FIRMWARE_UPDATE_MD [0x7A], V5



HELTUN™

IMPOSSIBLY SMART

Designed and Manufactured in Armenia | The Land of Surprising Engineering

www.heltun.com | info@heltun.com

© 2020 HELTUN, Inc. – All Rights Reserved